



ICS300 Series Camclosure® Camera System

INDOOR/OUTDOOR, WALL OR CEILING

Product Features

- Fully-Integrated Enclosure With Camera and Lens Package
- Rugged, Impact- and Vandal-Resistant
- Easy to Install
- Versatile, Aesthetically Pleasing “Track Light” Design, Mounts to Wall or Ceiling
- Tamper-Resistant Hardware
- Concealed Cabling
- 12 VDC or 24 VAC Operation
- Low-Temperature Operation to -50°F (-46°C); de-ices to -10°F (-23°C)
- Clear Viewing Window
- All Color Cameras Feature Digital Signal Processing
- Color and Monochrome Cameras Available with 2.9 mm, 3.6 mm, 6 mm, 8 mm, or 12 mm Fixed Focal Lenses
- Standard and High Resolution Color Cameras Available with Fixed Focal Auto Iris Lenses
- Varifocal Lenses of 3-6 mm or 4-9 mm with Auto Iris, Available with High Resolution Color Camera
- AC Line Lock with All Color Cameras in 24 VAC Operation
- All Lenses, Except Varifocals, are Pre-focused at the Factory
- Optional Conduit Adapter Available
- NTSC/PAL or EIA/CCIR Camera Formats



ICS300 SERIES



The **ICS300 Series Camclosure® Integrated Camera System** incorporates a camera and lens package into a small, unobtrusive, medium-security enclosure. The system is quick and easy to install in a variety of indoor or outdoor applications. It is ideal for residential, office, mall, hospital, school, parking garage, correction and detention, and other medium-security installations subject to vandalism.

The **ICS300 Series** can be equipped with three options. The ICS300-AP adapter plate allows adaption to a 2 gang electrical box, the ICS300-SS sun shroud helps shield the unit from sun in outdoor applications, and the ICS300-COND allows the unit to be used in applications requiring conduit.

All models are designed for either 12 VDC or 24 VAC operation. Each unit is provided with two quick-connect mating connectors with leads; one for 12 VDC and one for 24 VAC. Just select the appropriate connector for your application, wire the leads to your power source with wing nuts, and snap the connectors together – it’s that simple!

Camera options include 1/3-inch format CCD color imager (standard or high resolution) and monochrome imager (standard resolution) with fixed focal length lenses of 2.9 mm, 3.6 mm, 6 mm, 8 mm, and 12 mm. Color camera lens options include fixed focal without iris, fixed focal with auto iris, or varifocal with auto iris. Cameras with a varifocal lens have a 1/4-inch format high resolution CCD color imager.



DataFAX
SPEC: 22408
MANUAL: 224086

C2408 / REVISED 10-03



U.S. Patent D-476,025



TECHNICAL SPECIFICATIONS

ELECTRICAL

Input Voltage	12 VDC or 24 VAC ($\pm 10\%$)
Camera	Less than 3 watts
Heaters	10 watts when active; thermostatically controlled
Video Connector	BNC

GENERAL

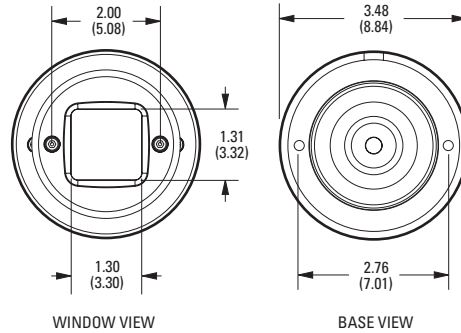
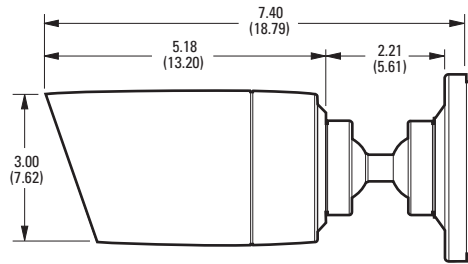
Pan/Tilt Adjustment	Manual 180° pan; 180° tilt
Construction	Aluminum base and cover, steel camera mounting bracket

ENVIRONMENTAL

Environment	Low temperature, indoor/outdoor
Operating Temperature	-50° to 122°F (-46° to 50°C); de-ices at -10°F (-23°C)
Thermostat Operation	Heater is thermostatically controlled to activate ON at 50°F (10°C) and OFF at 80°F (27°C)

PHYSICAL

Finish	Gray polyester powder coat
Dimensions	
Camclosure	2.71 (diameter) x 7.79 (L) inches (6.88 x 19.79 cm)
Sun Shroud	2.60 (H) x 6.13 (L) inches (5.23 x 15.57 cm) Snap fit design mounts sun shroud to enclosure
Unit Weight	1.45 lb (0.66 kg)
Shipping Weight	2.0 lb (0.90 kg)



NOTE: VALUES IN PARENTHESES ARE CENTIMETERS; ALL OTHERS ARE INCHES.

CERTIFICATIONS/RATINGS/PATENTS

- CE and FCC, Class A (models with monochrome cameras)
- CE and FCC, Class B (models with color cameras only)
- UL Listed
- UL Listed to Canadian safety standards
- Meets NEMA Type 3R standards
- Tested in accordance with MIL-STD 810E as follows:
 - Shock test; Section 516.4 (exceeds IEC 68-2-27)
 - Humidity test; Sections 520.1 and 507.3 (exceeds IEC 68-2-30)
 - Vibration test; Section 514.4 (exceeds IEC 68-2-6)
- ASTM Shipping Standard
- ISTA Shipping Standard

All tests are performed in accordance with ISO Guide 25 and ANSI/NCSL Z540-1.

- U.S. Patent D-476,025

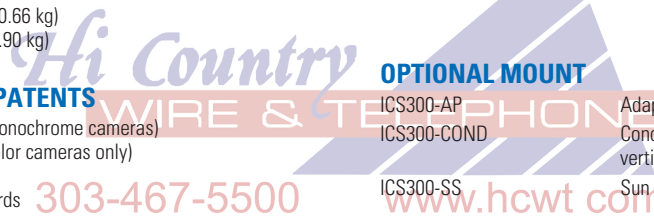
OPTIONAL MOUNT

ICS300-AP	Adapter plate for a 2-gang electrical box
ICS300-COND	Conduit adapter; can be adapted to any vertical or horizontal mounting surface
ICS300-SS	Sun shroud for outdoor applications

RECOMMENDED POWER SUPPLIES

(For use with 24 VAC models only)

TF2000	Power supply for one 24 VAC camera, 20 VA
MCS Series	Multiple 24 VAC camera power supply, indoor
MCS*E Series	Multiple 24 VAC camera power supply, indoor
WCS Series	Single/multiple 24 VAC camera power supply, outdoor



TECHNICAL SPECIFICATIONS

CAMERA SPECIFICATIONS

	Black-White Standard Resolution Fixed, Without Iris (Models ICSxxx-MAx/ ICSxxx-MCx)	Color Standard Resolution Fixed, Without Iris (Models ICSxxx-CAx/ ICSxxx-CCx)	Color Standard Resolution Fixed, Auto Iris (Models ICSxxx-CAxA/ ICSxxx-CCxA)	Color High Resolution Fixed, Without Iris (Models ICSxxx-CRx/ ICSxxx-CSx)	Color High Resolution Fixed, Auto Iris (Models ICSxxx-CRxA/ ICSxxx-CSxA)	Color High Resolution Varifocal, Auto Iris (Models ICSxxx-CRVxA/ ICSxxx-CSVxA)
Signal System Imaging Device	EIA or CCIR 1/3-inch CCD	NTSC or PAL 1/3-inch Interline Color CCD	NTSC or PAL 1/3-inch Interline Color CCD (Hyper HAD™)	NTSC or PAL 1/3-inch Interline Color CCD	NTSC or PAL 1/3-inch Interline Color CCD (Hyper HAD™)	NTSC or PAL 1/4-inch Interline Color CCD (Hyper HAD™)
Scanning System	2:1 Interlace	2:1 Interlace	2:1 Interlace	2:1 Interlace	2:1 Interlace	2:1 Interlace
Sync System	Internal	12 VDC: Internal 24 VAC: External (VD Lock)	12 VDC: Internal 24 VAC: External (VD Lock)	12 VDC: Internal 24 VAC: External (VD Lock)	12 VDC: Internal 24 VAC: External (VD Lock)	12 VDC: Internal 24 VAC: External (VD Lock)
Horizontal Resolution	EIA: 420 TV lines CCIR: 420 TV lines	NTSC: 350 TV lines PAL: 350 TV lines	NTSC: 330 TV lines PAL: 320 TV lines	NTSC: 470 TV lines PAL: 460 TV lines	NTSC: 450 TV lines PAL: 440 TV lines	NTSC: 480 TV lines PAL: 480 TV lines
Signal-to-Noise Ratio	50 dB	48 dB	48 dB	48 dB	48 dB	48 dB (AGC Off)
Min. Illumination Sensitivity	0.1 lux (f2.0)	1 lux (f2.0)	1 lux (f2.0)	1 lux (f2.0)	1 lux (f2.0)	Less than 1.2 lux (f1.2)
Video Out	1 Vp-p Composite (75 ohms)	1 Vp-p Composite (75 ohms)	1 Vp-p Composite (75 ohms)	1 Vp-p Composite (75 ohms)	1 Vp-p Composite (75 ohms)	1 Vp-p Composite (75 ohms)
Gain Control	Auto	Auto	Auto	NTSC: Auto PAL: Manual	Auto	On/Off by DIP switch (0-20 dB)
Exposure	Electronic Shutter (1/60 - 1/100,000)	Electronic Shutter (1/60 - 1/100,000)	Automatic control w/DC Iris meter (1/60 - 1/100,000)	Electronic Shutter (1/60 - 1/100,000)	Automatic Control w/DC Iris meter (1/60 - 1/100,000)	Electronic Shutter (1/60 - 1/100,000)
White Balance	Not applicable	Auto	Auto	Auto	Auto	Auto or manual (switch selectable)
Backlight Compensation	Auto	Auto or manual (switch selectable)	Auto or manual (switch selectable)	Auto or manual (switch selectable)	Auto or manual (switch selectable)	Auto; adjusts AGC and AES
Power Source*	12 VDC, 24 VAC	12 VDC, 24 VAC	12 VDC, 24 VAC	12 VDC, 24 VAC	12 VDC, 24 VAC	12 VDC, 24 VAC

*24 VAC power is recommended when installing any Camclosure® Integrated Camera System under fluorescent lighting conditions.

LENS SPECIFICATIONS

Camera	Fixed Focal Without Iris								Varifocal With Auto Iris			
	Color	B-W	Color	B-W	Color	B-W	Color	B-W	Color	B-W	Color, High Resolution only	
Focal Length	2.9 mm	3.0 mm	3.6 mm		6.0 mm		8.0 mm		12.0 mm		3-6 mm	4-9 mm
Format Size	1/3-inch		1/3-inch		1/3-inch		1/3-inch		1/3-inch		1/4-inch	—
Relative Aperture (F)	2.0		2.0		1.8	2.5	1.8	2.5	2.0		1.2 to 1.5	1.6 to 2.4
Operation	N/A		N/A		N/A		N/A		N/A		Auto	Auto Iris
Iris	Manual		Manual		Manual		Manual		Manual		Manual	Manual
Focus	N/A		N/A		N/A		N/A		N/A		Manual	Manual
Zoom	N/A		N/A		N/A		N/A		N/A		Manual	Manual
Angle of View**												
Horizontal	90°	87°	74°		42°	38°	32°	29°	21°		72° to 36°	51.8° to 23.8°
Diagonal	—	—	—		—	—	—	—	—		96° to 46°	66.1° to 29.7°
Vertical	69°	67°	55°		33°	30°	25°	23°	17°		52° to 26°	38.3° to 17.8°

Camera	Fixed Focal With Auto Iris		
	Color	Color	Color
Focal Length	6.0 mm	8.0 mm	12.0 mm
Format Size	1/3-inch	1/3-inch	1/3-inch
Relative Aperture (F)	1.8	1.8	1.8
Operation	Auto		
Iris	Manual		
Focus	N/A		
Zoom	N/A		
Angle of View**			
Horizontal	42°	32°	21°
Diagonal	—	—	—
Vertical	33°	25°	17°

**Focal length specifications presume a 10% horizontal and 4% vertical monitor overscan.

SYSTEM MODELS AND RELATED PRODUCTS

ICS300 SERIES SYSTEM MODELS

Camera Type	Lens	Lens Type	NTSC	PAL	EIA	CCIR	
Color, High Resolution	2.9 mm	Fixed, without iris	ICS300-CR3	ICS300-CS3	—	—	
	3.6 mm	Fixed, without iris	ICS300-CR3.6	ICS300-CS3.6	—	—	
	6 mm	Fixed, without iris	ICS300-CR6	ICS300-CS6	—	—	
		Fixed, auto iris	ICS300-CR6A	ICS300-CS6A	—	—	
	8 mm	Fixed, without iris	ICS300-CR8	ICS300-CS8	—	—	
		Fixed, auto iris	ICS300-CR8A	ICS300-CS8A	—	—	
	12 mm	Fixed, without iris	ICS300-CR12	ICS300-CS12	—	—	
		Fixed, auto iris	ICS300-CR12A	ICS300-CS12A	—	—	
	3-6 mm	Varifocal, auto iris	ICS300-CRV3A	ICS300-CSV3A	—	—	
	4-9 mm	Varifocal, auto iris	ICS300-CRV4A	ICS300-CSV4A	—	—	
Color, Standard Resolution	2.9 mm	Fixed, without iris	ICS300-CA3	ICS300-CC3	—	—	
	3.6 mm	Fixed, without iris	ICS300-CA3.6	ICS300-CC3.6	—	—	
	6 mm	Fixed, without iris	ICS300-CA6	ICS300-CC6	—	—	
		Fixed, auto iris	ICS300-CA6A	ICS300-CC6A	—	—	
	8 mm	Fixed, without iris	ICS300-CA8	ICS300-CC8	—	—	
		Fixed, auto iris	ICS300-CA8A	ICS300-CC8A	—	—	
	12 mm	Fixed, without iris	ICS300-CA12	ICS300-CC12	—	—	
		Fixed, auto iris	ICS300-CA12A	ICS300-CC12A	—	—	
	B-W, Standard Resolution	3.0 mm	Fixed, without iris	—	—	ICS300-MA3	ICS300-MC3
		3.6 mm	Fixed, without iris	—	—	ICS300-MA3.6	ICS300-MC3.6
6 mm		Fixed, without iris	—	—	ICS300-MA6	ICS300-MC6	
8 mm		Fixed, without iris	—	—	ICS300-MA8	ICS300-MC8	
12 mm		Fixed, without iris	—	—	ICS300-MA12	ICS300-MC12	

LENS PACK OPTIONS

Lens packs offer the added convenience of easily changing a camera's field of view by simply changing the lens.

All fixed focal lenses without iris (2.9 mm to 12 mm) are interchangeable with any camera module. Fixed focal auto iris and varifocal lenses are not interchangeable.

Variety Pack*

13FFD-V5PAK Variety package of five lenses, one each
2.9 mm, 3.6 mm, 6 mm, 8 mm, and 12 mm

*Fixed focal lenses, without iris.

Single Lens Pack*

13FF3D 2.9 mm lens and mount
13FF3.6D 3.6 mm lens and mount
13FF6D 6 mm lens and mount
13FF8D 8 mm lens and mount
13FF12D 12 mm lens and mount

Four Lens Pack*

13FF3D-4PAK Package of four 2.9 mm lenses and mounts
13FF3.6D-4PAK Package of four 3.6 mm lenses and mounts
13FF6D-4PAK Package of four 6 mm lenses and mounts



Hyper HAD™ is a trademark of the Sony Corporation.
Camclosure® is a registered trademark of Pelco.
Specifications subject to change without notice.
©Copyright 2003, Pelco. All rights reserved.